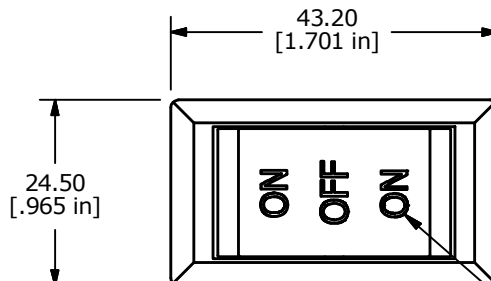
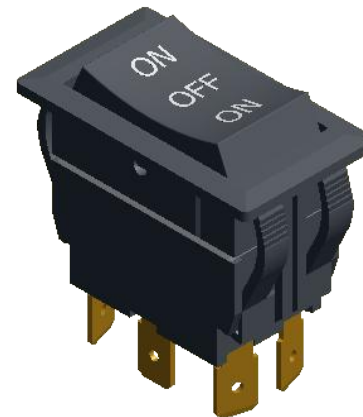


SUGGESTED PANEL CUTOUT  
MAX PANEL THICKNESS 6.0mm

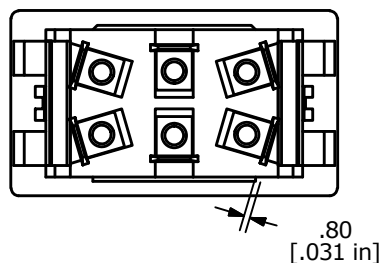
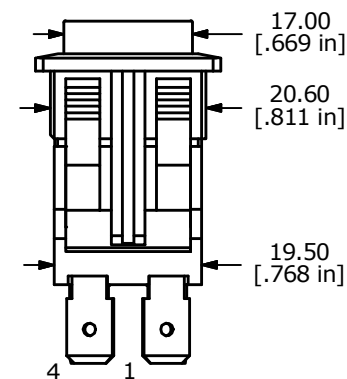
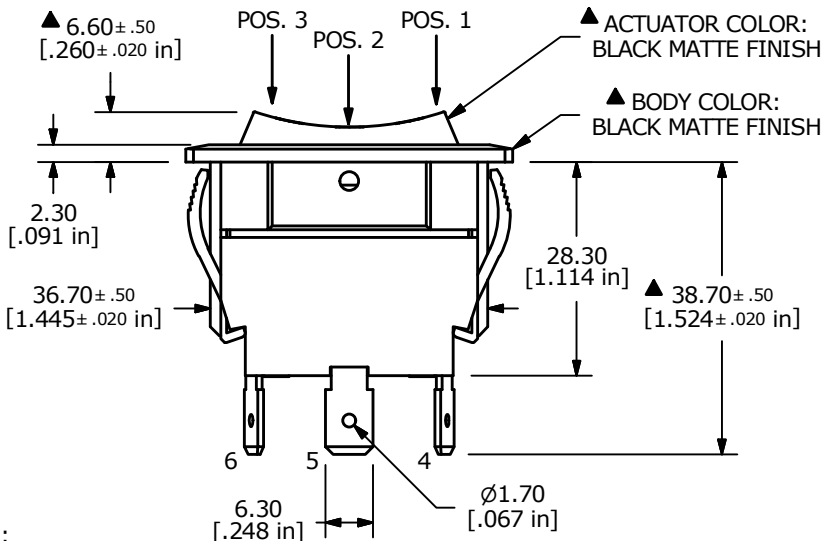
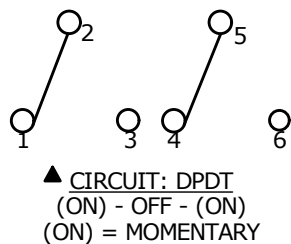


▲ GRAPHIC COLOR:  
WHITE



SWITCH FUNCTION		
POS. 3	POS. 2	POS. 1
(ON)	OFF	(ON)
2-1, 5-4	OPEN	2-3, 5-6

(ON) = MOMENTARY



NOTES:

- ALL DIMENSIONS IN MM [INCH]
- GENERAL TOLERANCE: X.X±0.4  
X.XX±0.25
- RATINGS: ANSI/UL 508 AND CAN/CSA C22.2 NO.14 (E195908):  
20A, 125VAC [cURus]  
15A, 277VAC [cURus]  
1.5HP, 110/250VAC [cURus]
- CONTACT RESISTANCE: 50 mΩ MAX. @ 50VAC
- INSULATION RESISTANCE: 800 MΩ MIN. @ 500VDC
- OPERATING TEMPERATURE: 0°C TO +55°C [cURus, CSA]  
0°C TO +55°C [VDE]
- ELECTRICAL LIFE: 6,000 CYCLES [cURus]
- DIELECTRIC STRENGTH: 1,500V FOR 1 MINUTE
- INGRESS PROTECTION: IP54
- ▲ DENOTES CRITICAL PARAMETER
- 2011/65/EU (RoHS) COMPLIANT.



C	22504	UPDATED NOTES	5/18/17	MJR
B	21815	CHANGE 2.0HP to 1.5HP in Note 3	3/30/15	MW
REV	PCR NO	DESCRIPTION	DATE	BY

TITLE RVW4KD1122				
SCALE 1:1	DATE 3/9/2015	DR MW	DWG 34-RVW4KD1122	REV C

THE INFORMATION CONTAINED IN THIS DOCUMENT IS PROPRIETARY TO E-SWITCH AND IS NOT TO BE COPIED OR TRANSFERRED